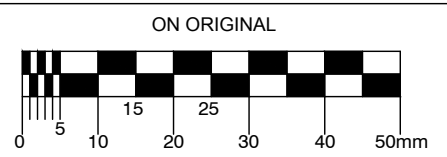


COVER LEVEL	92.684		93.567	93.675		94.654	94.718		95.160	95.692		96.463		96.777		97.109
INVERT LEVEL	90.000	11.008	92.000	11.006	92.850	93.000	11.004	95.160	95.320	11.002	95.970	11.001	96.584	11.000	97.100	
DEPTH (m)	2.684		3.117		1.804	1.718		1.732	1.754		2.483		2.193		2.699	
DISTANCE (m)		50.40		30.79	4.48		83.07	6.44	1.754	44.65		60.79		34.28		
PIPE SLOPE		1:112	1:78	1:36	1:30		1:38	1:40	1:754	1:69		1:99		1:66		
PIPE SIZE		225mm	225mm	225mm	225mm		225mm	225mm	225mm	225mm		225mm		225mm		

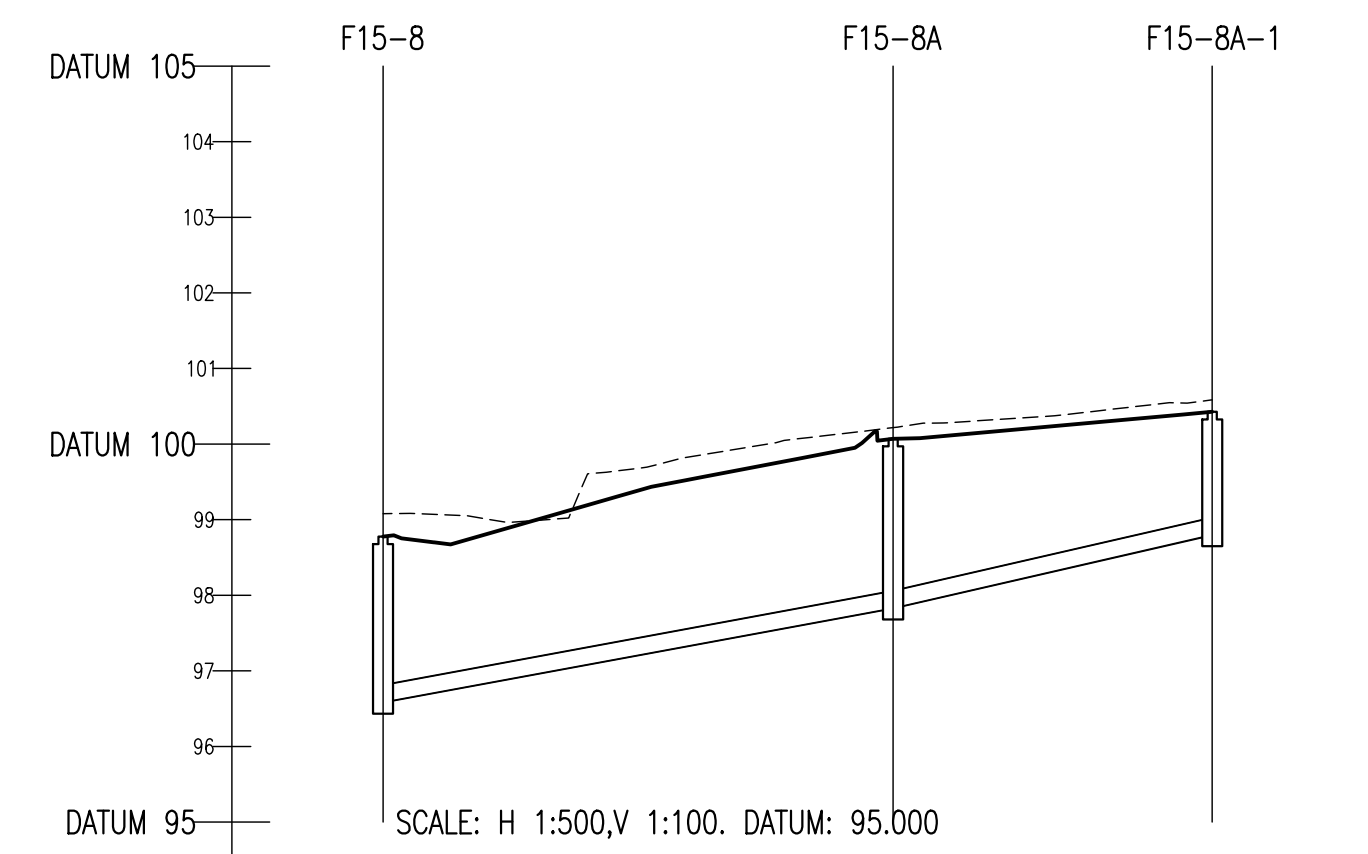
© COPYRIGHT OF THIS DRAWING IS RESERVED BY DBFL CONSULTING ENGINEERS. NO PART SHALL BE REPRODUCED OR TRANSMITTED WITHOUT THEIR WRITTEN PERMISSION.



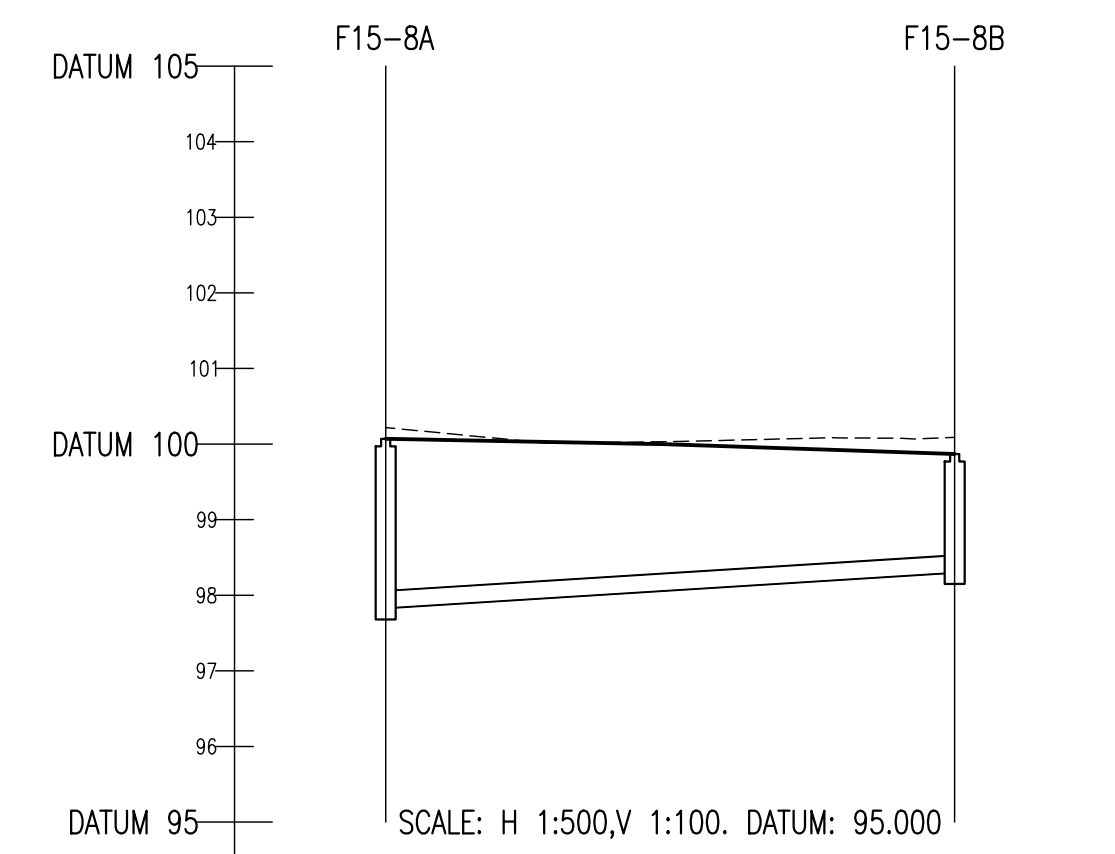
- NOTES:
- ALL DRAWINGS TO BE CHECKED BY CONTRACTOR ON SITE AND ENGINEER INFORMED OF DISCREPANCIES BEFORE WORK COMMENCES
 - ALL LEVELS ARE IN METRES AND ARE RELATED TO ORDNANCE DATUM
 - CONTRACTOR SHALL SATISFY HIMSELF AS TO THE ACCURACY OF PAVEMENT LEVELS ON SITE PRIOR TO COMMENCEMENT OF WORKS ON SITE
 - ALL WORKS TO BE CONSTRUCTED IN ACCORDANCE WITH THE NRA SPECIFICATION FOR ROAD WORKS UNLESS NOTED OTHERWISE
 - THIS DRAWING IS FOR PLANNING PURPOSES ONLY
 - MANHOLE COVER LEVELS ARE TO CONFORM WITH FINISHED ROAD AND PATH LEVELS
 - WHERE COVER TO PIPE IS LESS THAN 1200mm (ROAD/PATH/VERGE) OR 900mm (OPEN SPACE) SURROUND PIPE IN MINIMUM 150mm CONCRETE

KEY

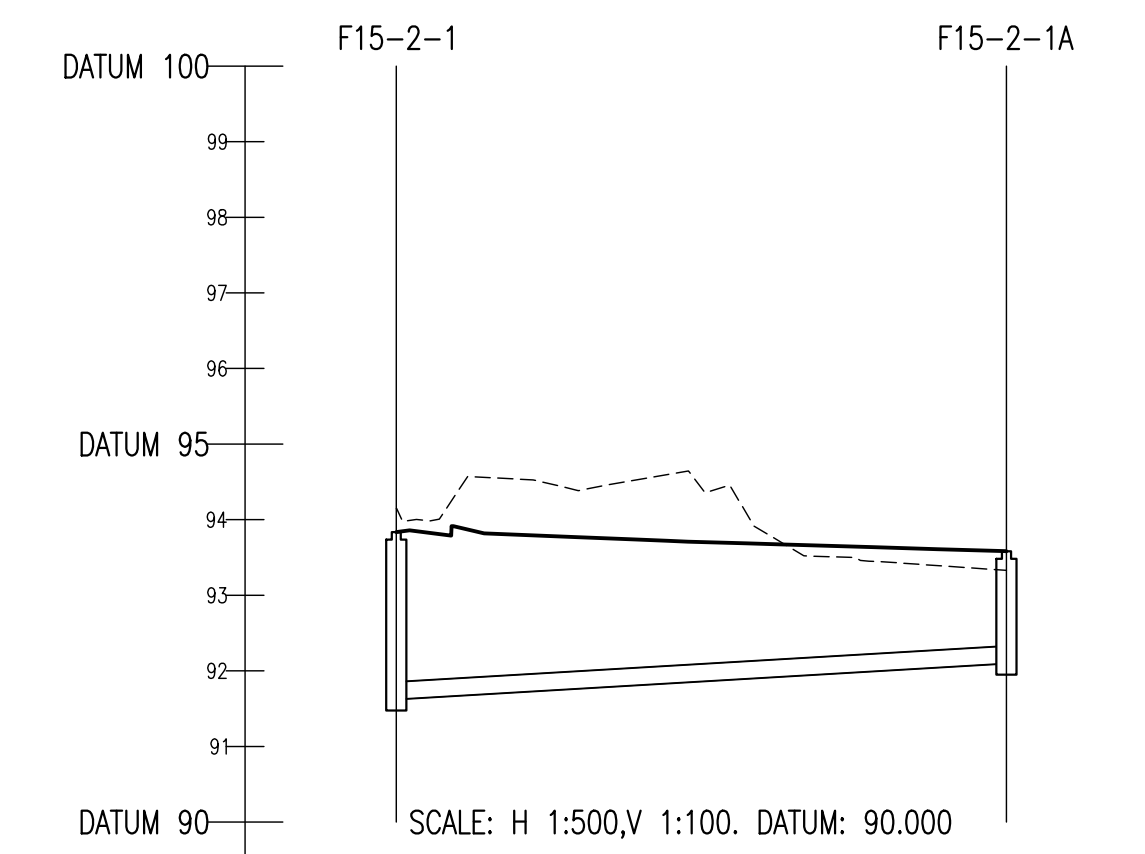
- - - - - EXISTING GROUND PROFILE
- PROPOSED GROUND PROFILE



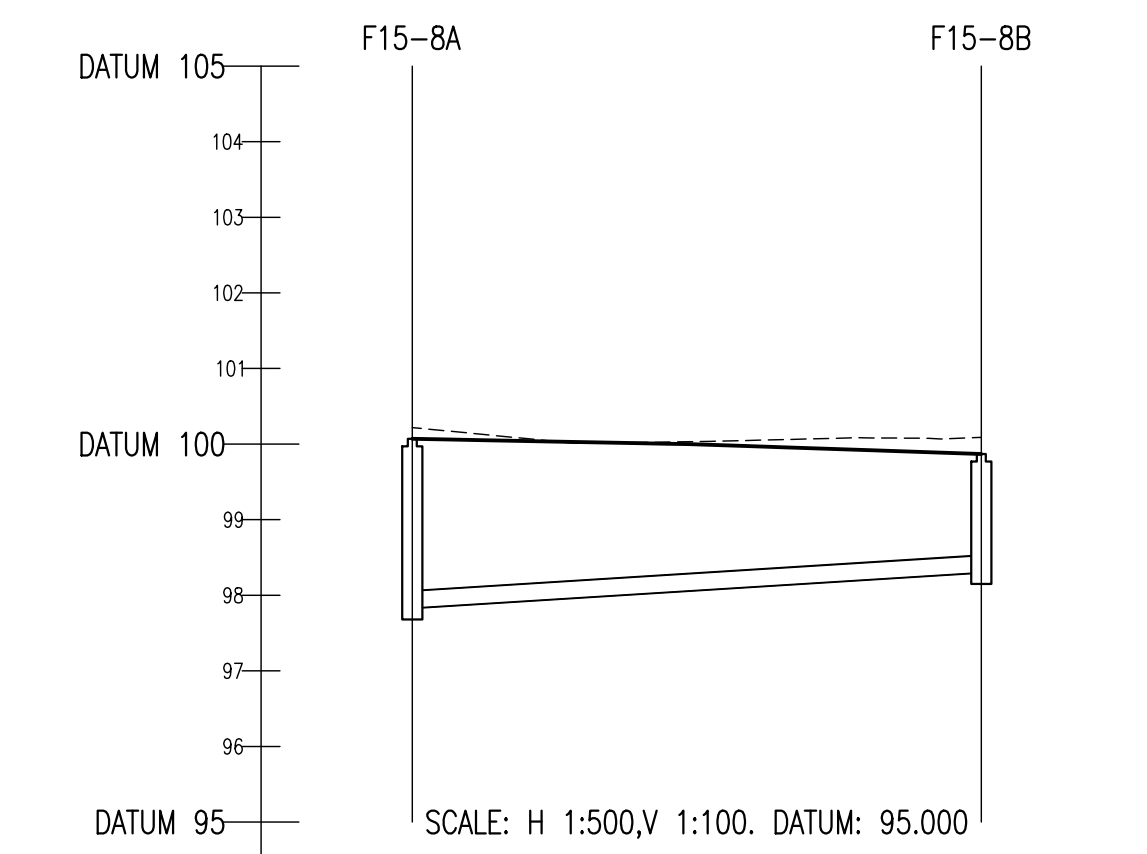
COVER LEVEL	96.777		100.070	100.427
INVERT LEVEL	96.584	12.001	97.830	98.800
DEPTH (m)	2.193		2.240	1.627
DISTANCE (m)		33.74	21.10	
PIPE SLOPE		1:27	1:22	
PIPE SIZE		225mm	225mm	



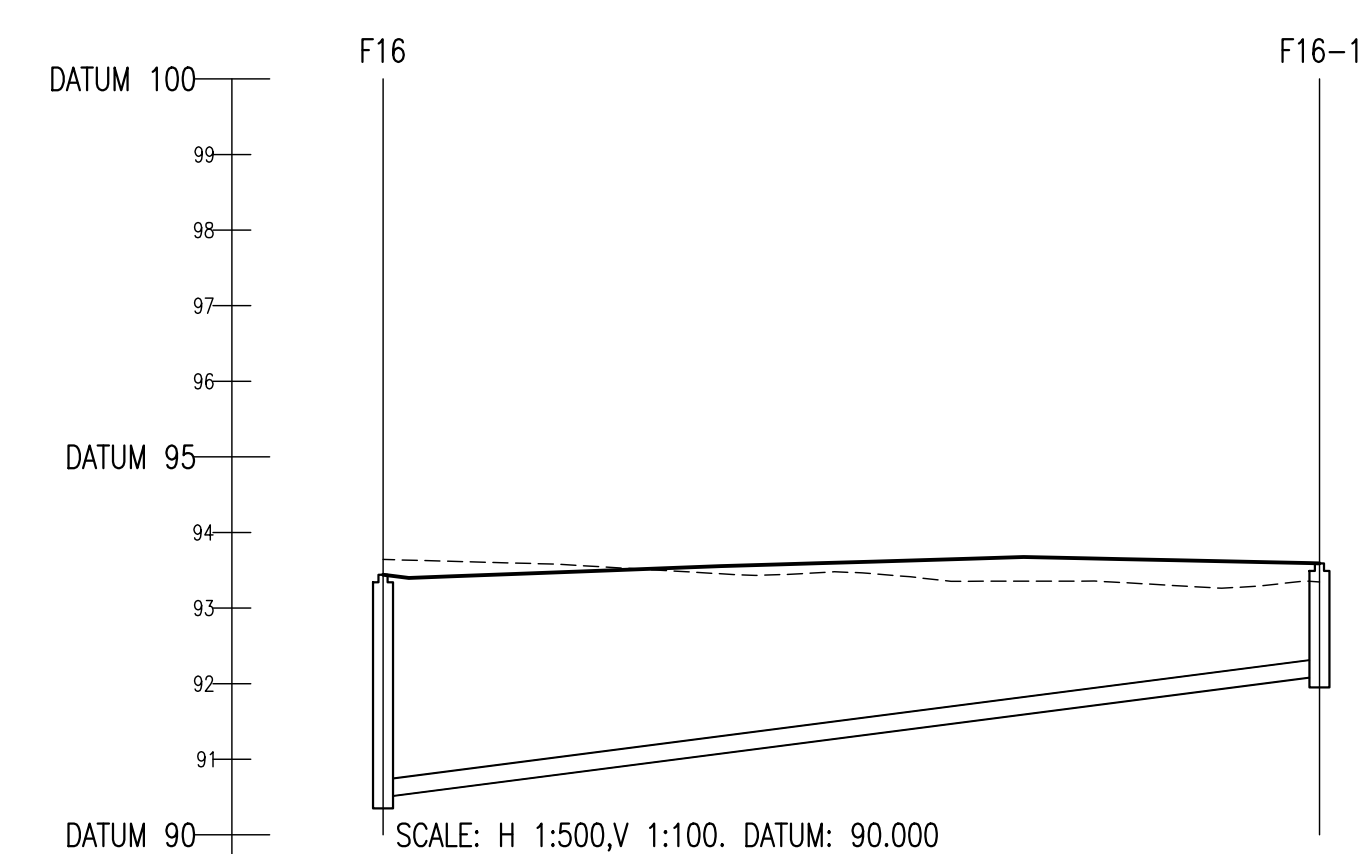
COVER LEVEL	100.070		99.869
INVERT LEVEL	97.830	12.000	96.300
DEPTH (m)	2.240		1.569
DISTANCE (m)		37.63	
PIPE SLOPE		1:80	
PIPE SIZE		225mm	



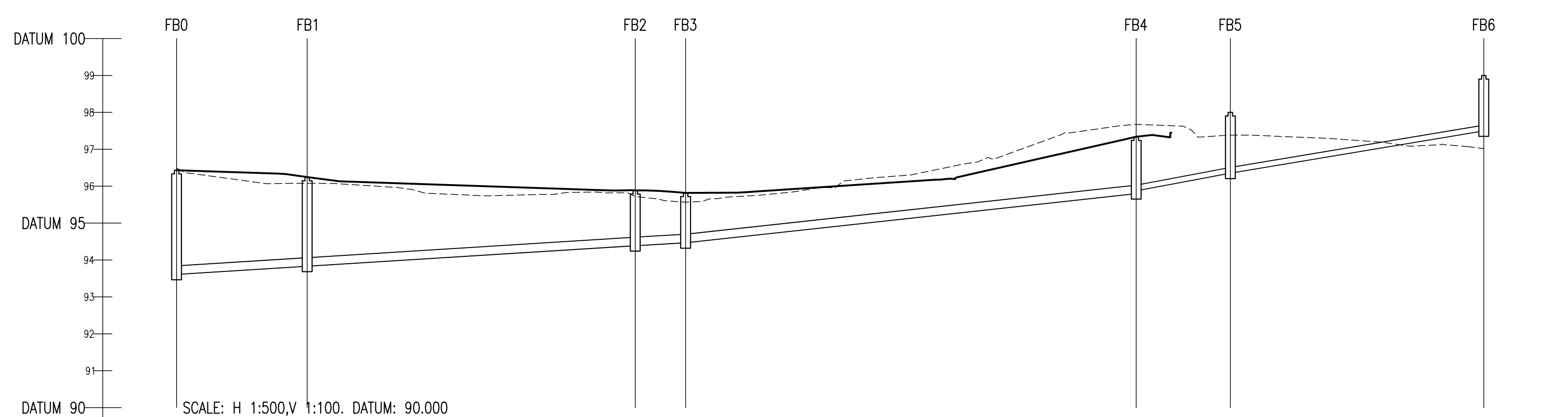
COVER LEVEL	93.536		93.583
INVERT LEVEL	91.625	15.000	92.100
DEPTH (m)	2.211		1.483
DISTANCE (m)		40.36	
PIPE SLOPE		1:85	
PIPE SIZE		225mm	



COVER LEVEL	100.070		99.869
INVERT LEVEL	97.830	12.000	96.300
DEPTH (m)	2.240		1.569
DISTANCE (m)		37.63	
PIPE SLOPE		1:80	
PIPE SIZE		225mm	



COVER LEVEL	93.441		93.592
INVERT LEVEL	90.500	10.000	92.100
DEPTH (m)	2.941		1.492
DISTANCE (m)		61.93	
PIPE SLOPE		1:39	
PIPE SIZE		225mm	



COVER LEVEL	96.401		96.247		96.886		97.339		98.000		98.000
INVERT LEVEL	93.613	1.005	93.834	93.834	94.390	94.390	95.800	95.875	96.355	96.355	97.500
DEPTH (m)	2.818		2.413		1.496	1.348	1.539	1.001	1.645	1.645	1.500
DISTANCE (m)		17.70			44.46	6.83	61.07	12.76	34.35		
PIPE SLOPE		1:80			1:80	1:85	1:46	1:27	1:30		
PIPE SIZE		225mm			225mm	225mm	225mm	150mm	150mm		

REV	DATE	DESCRIPTION	BY	CHKD
PLANNING				
DESIGNED	NCG	PREPARED	PJC	
DATE	SEP 2019	CHECKED	DJR	



PROJECT
LANDS AT NEWCASTLE, SOUTH DUBLIN

DRG. TITLE
LONGITUDINAL SECTIONS THROUGH FOUL SEWER SHEET 4

ARCHITECT
MOLA

SCALE H 1:500, V 1:100 @A1 FILE REF. 170024-3025
 DRG. NO. **170024-3028**